

EXTERIOR LIGHTING

Shoebox/Flood Lighting

GLFLJ-150/200/250

FLOOD LIGHT

Features

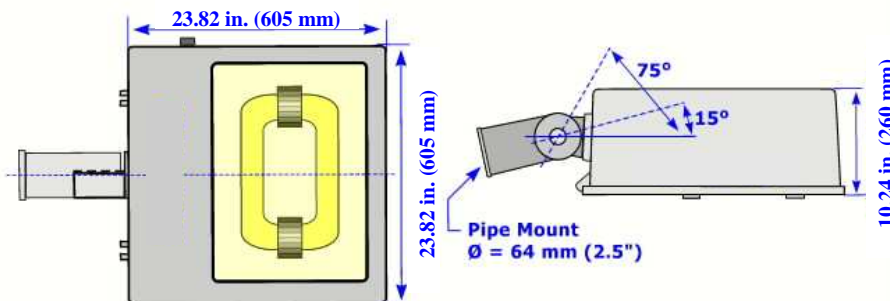
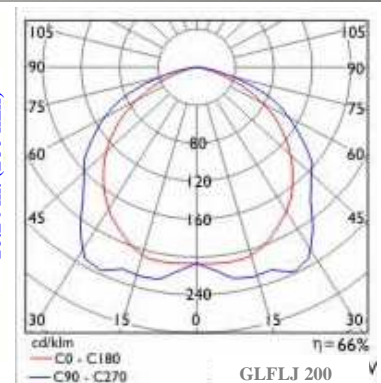
- ♦ Die cast, aluminum housing with powder coated finish for corrosion-resistance.
- ♦ Clear tempered glass lens with gas tight seal.
- ♦ Anodized aluminum reflector designed to optimize light distribution.
- ♦ EPA Rating: 1.88ft²
- ♦ Includes heavy duty slip fitter mounting bracket, will accept up to 64mm/2.5 inch pipe.

Lamp and Ballast

- ♦ Globals 150/200/250W rectangular induction lamp features high lighting efficiency, CRI 80+.
- ♦ Note: Total energy consumption=fixture wattage+5% for ballast overhead.
- ♦ Estimated lifespan 100,000 hours.
- ♦ Electronic ballast features high power factor (>0.95), flicker free, instant on/instant re-strike.
- ♦ Engineered to operate efficiently at +130F - Cold weather certified to -40 F.

Applications

- ♦ Parking lots, billboards, plazas, entrances, driveways, off-street areas, parks, tennis courts, etc.

DIMENSIONS

PHOTOMETRICS


GLFLJ - 150/200/250

FIXTURE SPECIFICATIONS

Global Code	Type	Lamp	Voltage	Colour Temperature	Note
GLFLJ-150/200/250	Shoebox/Flood Light	150/200/250 - Rectangular	120~277 208~347	6,500K Colour temperatures of 4100K or 5000K available by special order	Tempered Glass Lens

"LIGHTING TODAY FOR A BRIGHTER TOMORROW"