

EXTERIOR LIGHTING

Ceiling Mounted Garage Lighting



GLGL 40/70/80/100

GARAGE LIGHT

Features

- ◆ Die cast aluminum housing with powder coated finish for corrosion-resistance.
- ◆ UV stabilized, polycarbonate lens.
- ◆ IP 43 rating suitable for use in sheltered locations such as parking garages or under canopies.
- ◆ Pre-drilled for center mounting on junction box, includes gasket for secure fit.

Lamp and Ballast

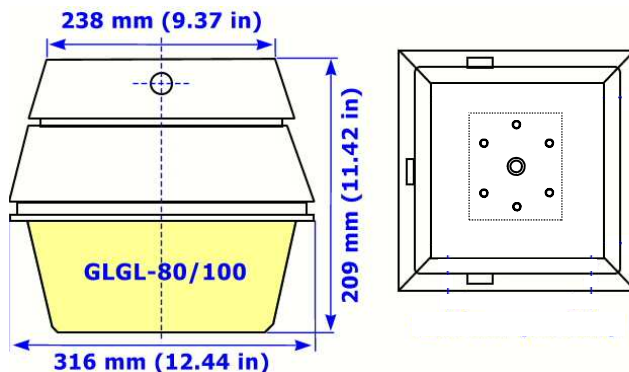
- ◆ Globals 40/70/80W or 100W round tubular induction lamp features high lighting efficiency.
- ◆ Note: Total energy consumption=fixture wattage+5% for ballast overhead.
- ◆ Estimated lifespan 100,000 hours.
- ◆ Electronic ballast features high power factor (>0.95), flicker free, instant on/instant re-strike.
- ◆ Engineered to operate efficiently at +130F - Cold weather certified to -40 F.

Applications

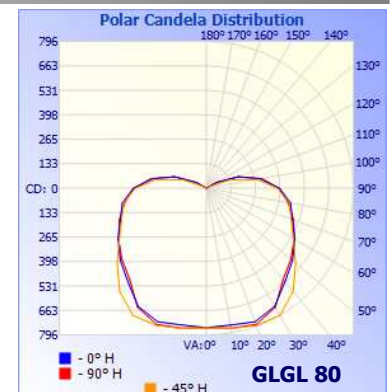
- ◆ Parking garages, gas stations, warehouses, stairwells, schools, washrooms, breezeways, etc.



DIMENSIONS



PHOTOMETRICS



GLGL- 40 / 70 / 80 / 100



FIXTURE SPECIFICATIONS

Global Code	Type	Lamp	Voltage	Colour Temperature	Note
GLGL-40/70	Garage Lighting	40W/70 - Round	120~277 208~347	5,000K Colour Temperatures of 2,720 to 6500K available on request	UV Stabilized Polycarbonate Lens
GLGL-80		80W - Round			
GLGL-100		100W - Round			

"LIGHTING TODAY FOR A BRIGHTER TOMORROW"