

EXTERIOR LIGHTING

Roadway/Parking Area Light



GLNJ-40/55/70/80/100/120/150

ROADWAY/PARKING AREA LIGHT

Features

- ◆ Die cast aluminum housing with separate lamp and ballast chambers for excellent heat dissipation.
- ◆ Powder coated finish for corrosion-resistance - Tool-less entry, built-in levelling devices.
- ◆ Streamlined contours for low wind resistance with adjustable pole angle includes photocell.
- ◆ Pole size to 60 mm (2.36") - Spring washers on pole clamps for easy installation.
- ◆ Available with flat tempered glass or UV stabilized polycarbonate contoured lenses.
- ◆ IP 65 rating suitable for outdoor use (moisture resistant fixture).
- ◆ EPA Ratings: 40/55/70/80=1.88 ft², 100/120/150=2.48 ft²

Lamp and Ballast

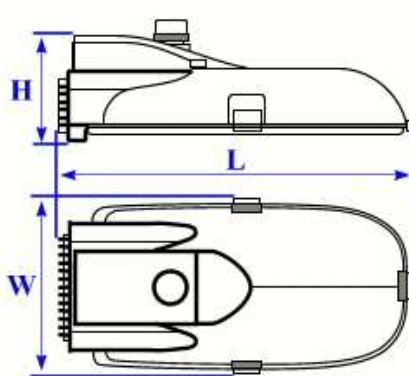
- ◆ Globals 40W to 150W rectangular induction lamps feature high lighting efficiency, CRI 80+.
- ◆ Note: Total energy consumption=fixture wattage+5% for ballast overhead.
- ◆ Estimated lifespan 100,000 hours.
- ◆ Electronic ballast features high power factor (>0.95), flicker free, instant on/instant re-strike.
- ◆ Engineered to operate efficiently at +130F - Cold weather certified to -40 F

Applications

- ◆ Roadways, parking lots, plazas, shopping malls, public entrances, driveways, off-street areas, etc.



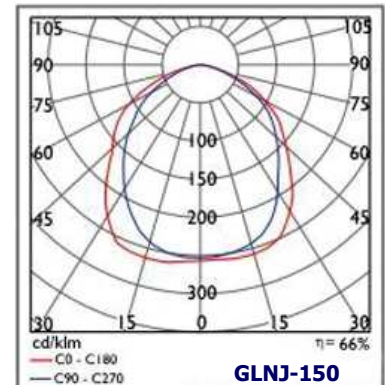
DIMENSIONS



GLNJ 40-150 WATTS

H = 278.9 mm (10.98")
L = 688.4 mm (27.10")
W = 385.6 mm (15.18")

PHOTOMETRICS



GLNJ-40 / 55 / 70 / 80 / 100 / 150



FIXTURE SPECIFICATIONS

Global Code	Type	Lamp	Voltage	Colour Temperature	Note
GLNJ-40/55	Roadway Lighting	40W/55W	120~277 *208~347 Coming Soon	6,500K Color temperatures of 4100K or 5,000K available by special order	Available with flat tempered glass or UV stabilized polycarbonate contoured lenses
GLNJ-70/80		70W/80W			
GLNJ-100/120		100W/120W			
GLNJ-150		150W			

"LIGHTING TODAY FOR A BRIGHTER TOMORROW"